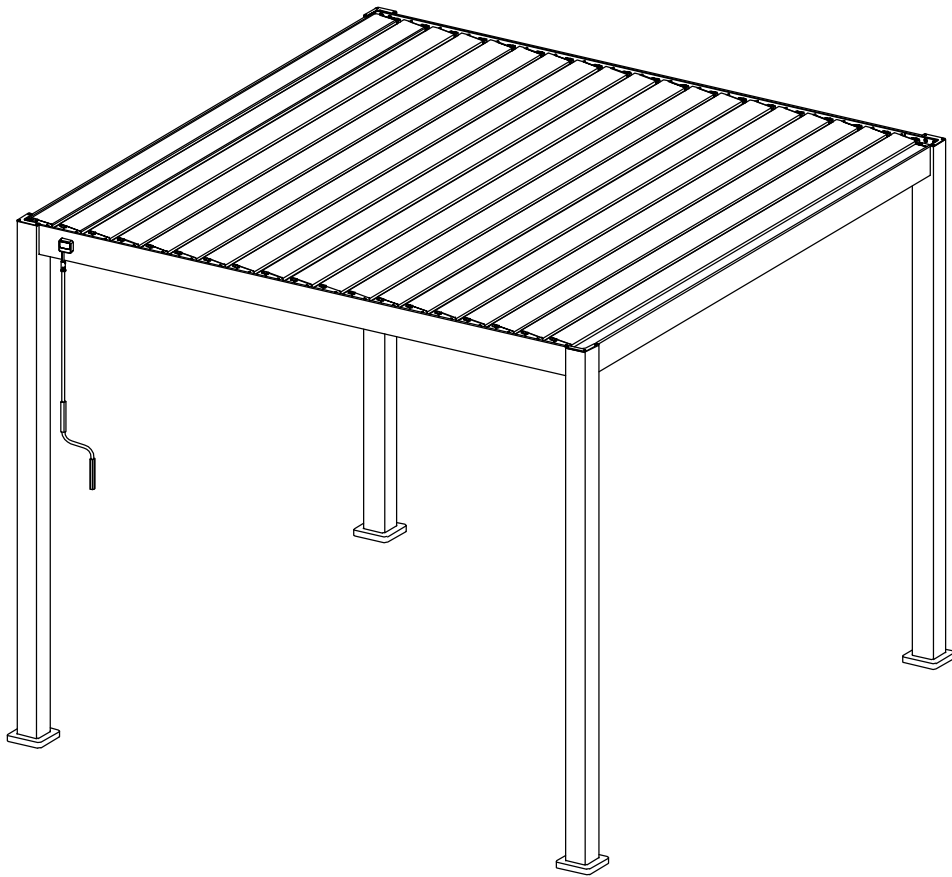
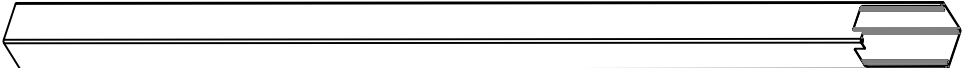
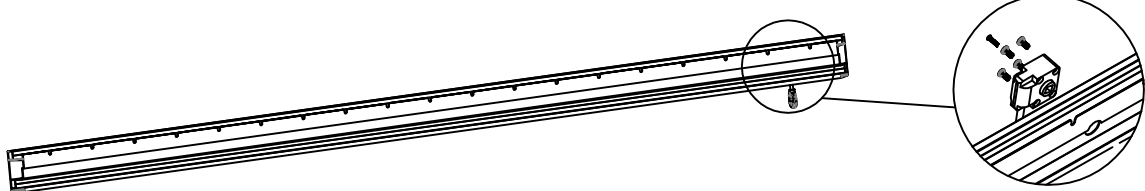
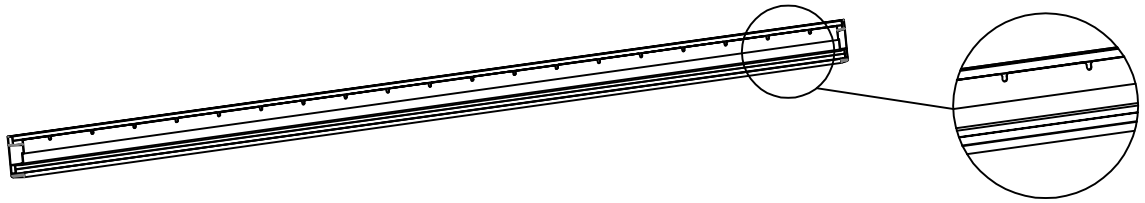

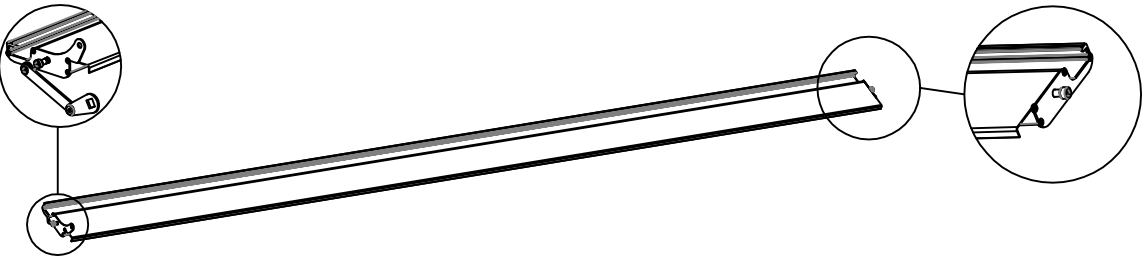
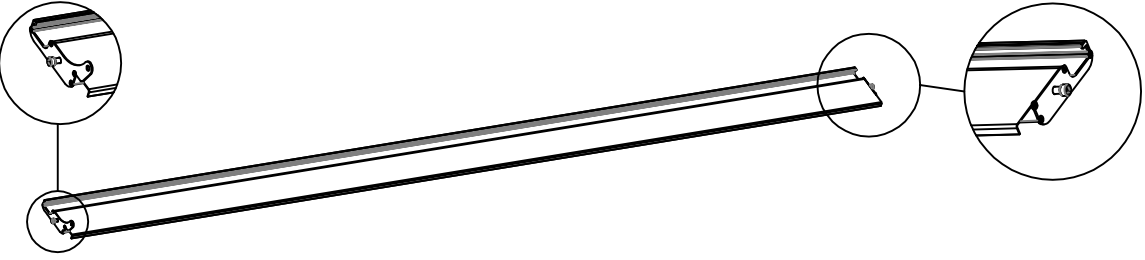



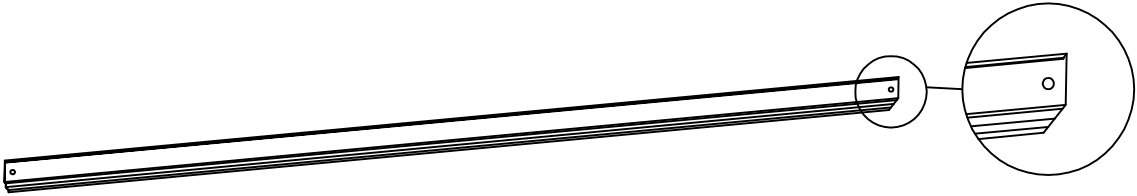
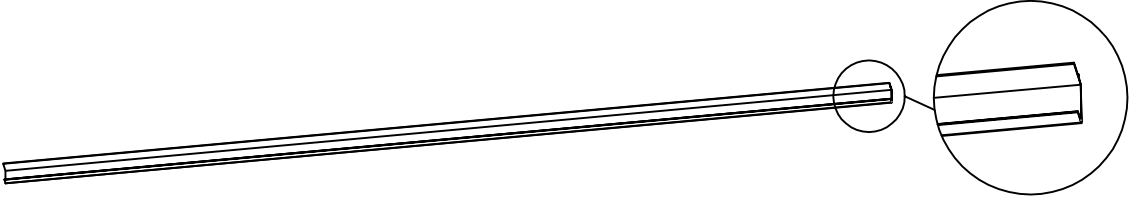
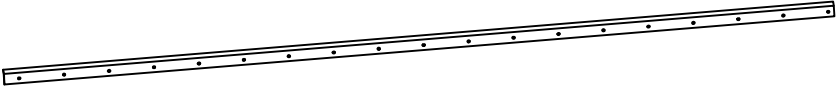
CELTIC LEISURE

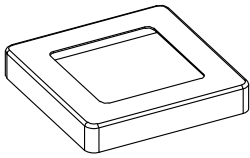
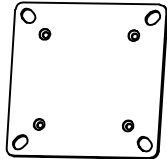
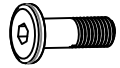
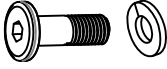

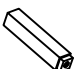
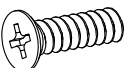

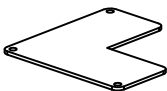
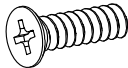
Saturn 3x3m Pergola

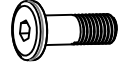
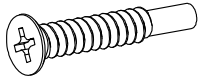
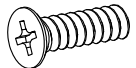
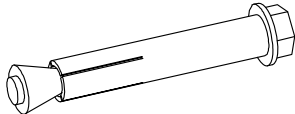
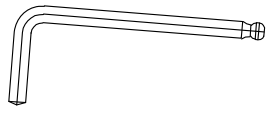



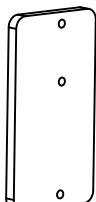
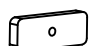


Reminder: "Ensure louvres are lined up and mounted perfectly square and perpendicular otherwise top fin alignment will be incorrect."

REF	PICTURE	QTY
A		4PCS
B1		1PC
B2		1PC
C		2PCS
D		1PCS
D1		18 PC
E		1PC

REF	PICTURE	QTY
<p>(F)</p>		<p>4PC</p>
<p>(G)</p>		<p>4PC</p>
<p>(G1)</p>		<p>1 PCS</p>

REF	PICTURE	QTY
I		4PCS
J		4PCS
O	 M8*12 Large flat head hexagon with spring pad	8 PCS
P	 M8*25 Large flat head hexagon with spring pad	16PCS
M	 M8*20 With anti-slip nut +M8*16*2 Nylon gasket	19PCS
W1		1 PCS
R1	 Cross countersunk head M5*15 bolt+M5*20*2MM washer	1 PCS
U1		1 PCS
T1		4 PCS
R	 Cross head M5*25 bolt	1 PC

REF	PICTURE	QTY
S	 Flat head hexagonal M6*45 bolt + spring washer	4 PCS
V	 Cross pan head drill tail M4.2*32	32PCS
W	 M5*10 Cross Countersunk head screw	12PCS
X	 expansion bolt M10*60	16PCS
Y		2PCS
T	 Flat head hexagon M10*35 Countersunk head bolt	16PCS
U		1 PCS
L1		1 PCS
K		8PCS
L		16PCS

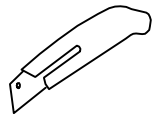
Warning

In snow season or in case of snow forecast open up your shutters in vertical position to avoid any damaging on your pergola.

What you need?



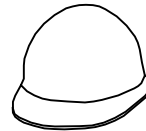
Glove



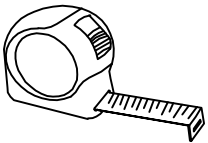
Knife



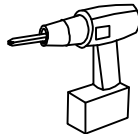
Hammer



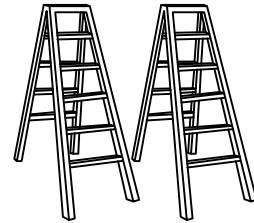
Safety hat



Tapeline



Electric screw driver



Ladder

1

